

WAFER-TYPE NON-RETURN VALVE RD40 DN15 – DN100

DESCRIPTION

The RD40 all stainless steel disc check valve has a compact design and was specially designed for use with steam and hot condensate.

Connections are flanged (wafer type)

MAIN FEATURES

Low pressure drop.

Simple and compact design.

Overall lengths according to DIN 3202 part 3-K4


OPTIONS:

Soft sealing :
EPDM (E), NBR (N), VITON (V), PTFE (T).

Inconel springs

USE :

Saturated steam, water and other gases (Group 2) compatible with the construction

AVAILABLE
MODELS :

RD 40

SIZES :

DN 15 to DN 100

CONNECTIONS :

Sandwiched between flanges as per EN 1092 or ANSI.

INSTALLATION :

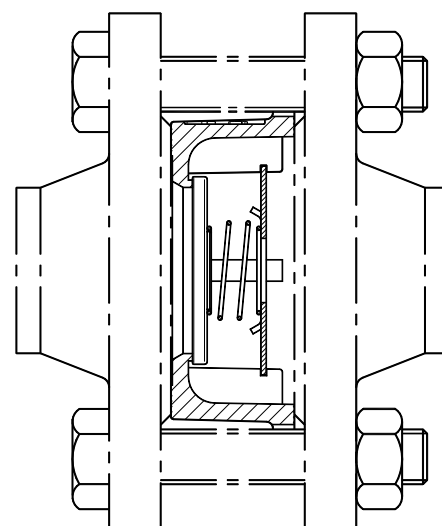
Horizontal or vertical installation
See IMI, installation and maintenance instructions.

RATING :

PN 40

LIMIT OF
OPERATION:

As per EN 1092



BODY LIMITING CONDITIONS	
ALLOW. PRES.	RELATED TEMP.
40 bar	100 °C
33,7 bar	200 °C
31,8 bar	250 °C
29,7 bar	300 °C

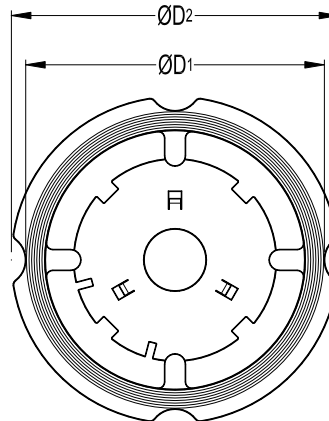
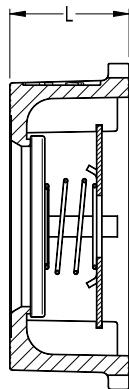
Minimum operating temperature: -10°C

Recommended limit of operation with soft seats (°C)			
EPDM (E)	NBR (N)	VITON (V)	PTFE (T)
130°	95°	180°	180°

CE MARKING (PED - European Directive)	
PN 40	Category
DN15 to DN32	SEP
DN40 to DN100	Category 1 (CE Marked)

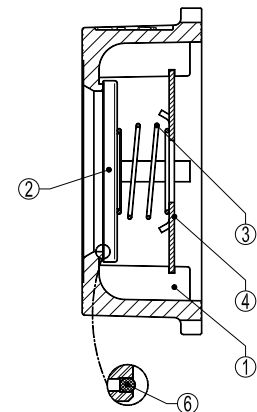
DIMENSIONS (mm)

DN	15	20	25	32	40	50	65	80	100
D1	43	53	64	75	86	96	115	132	152
D2	50	60	70	81	91	105	126	141	167
L	17	20	23	28	32	40	46	50	60
Kgs	0,18	0,2	0,25	0,5	0,7	1,3	1,7	2,8	4,5


MATERIALS

POS.	DESIGNATION	MATERIAL
1	Valve body	CF8M / 1.4408
2	*Disc	AISI316 / 1.4401
3	*Spring	AISI302 / 1.4300
4	Star	AISI316 / 1.4401
6	* Soft seal	See options

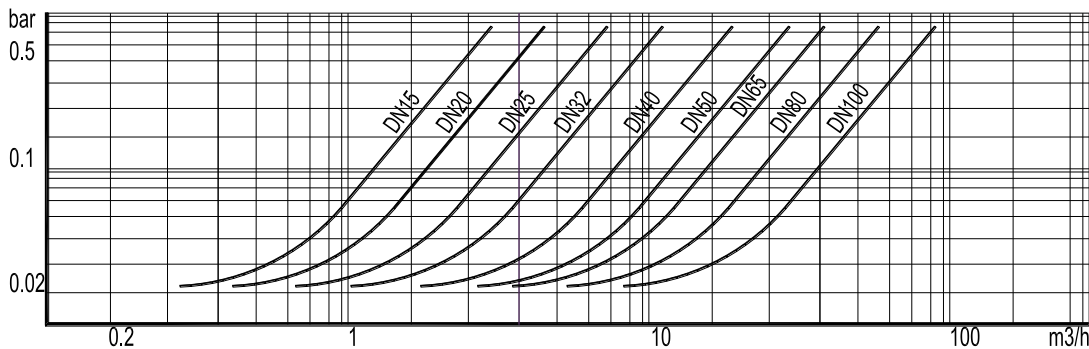
*Available spare parts


Minimum opening pressures with standard spring in mbar

DN	15	20	25	32	40	50	65	80	100
D.P. ▲	25	25	25	27	28	29	30	31	33
D.P. ➔	23	23	23	24	25	25	26	26	27
D.P. ▼	21	21	21	21	21	21	21	21	21
*D.P. ▲	2	2	2	3	4	4	5	5	6

* Vertical installation without springs (bottom to top). ➔ Flow direction.

Pressure drop, horizontal flow, standard spring (water - 20°)


 To determine the pressure drop of other mediums the equivalent water flow volume has to be calculated: $V_w = \sqrt{\frac{Q}{1000}} \times V$

Vw = Equivalent water flow volume in m3/h ; Q = Density in Kg/m3 ; V = Flow volume in m3/h.