

150F

Features

1. Variation in flow rate can be checked easily with flap and scale plates.
2. Pressure loss caused by the fluid flow is as low as 0.01 MPa even when the flap shows the maximum flow rate, and does not affect the pressure of the fluid.
3. Can be connected to horizontal/vertical piping.
4. Mica plate is used for this type of sight glass for steam condensate.
5. The 150F Series sight glass come in a variety of materials, including ductile cast iron and cast stainless steel, which are available to choose from.

Specifications

Model	150F-F	150F-13S	150F-13F
Application	Cold and hot water, Oil, Other non-dangerous fluids		
Nominal size	65A-150A	15A-50A	15A-100A
Maximum working pressure	1.0 MPa		
Max. temperature	150°C		
Max. thermal shock	100°C		
Material	Body	Ductile cast iron	Cast stainless steel
	Glass	Hardened glass	
	Flap	Stainless steel	
Connection	JIS 10K FF flanged	JIS Rc screwed	JIS 10K FF flanged



150F-F

- Available with mica plate for steam condensate (150FM-□□S-□□F).
- Available with protector (150FP-□□S-□□F).
- Glass part is consumable supply.

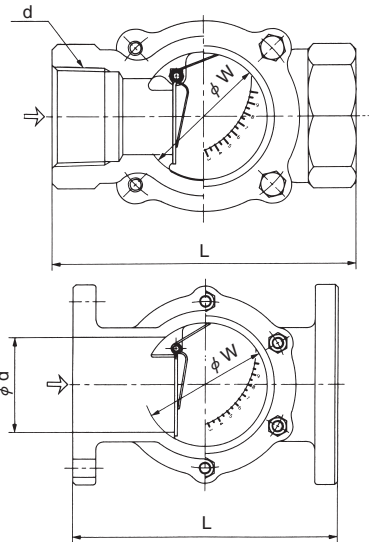
Dimensions (mm) and Weights (kg)

● 150F-13S

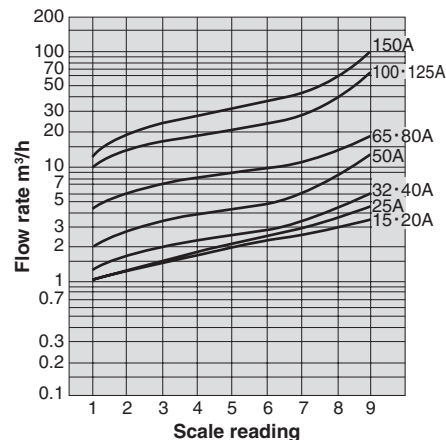
Nominal size	d	L	W	Weight
15A	Rc 1/2	76	35	0.75
20A	Rc 3/4	89	35	0.84
25A	Rc 1	114	44	1.6
32A	Rc 1-1/4	127	53	2.4
40A	Rc 1-1/2	140	57	3.0
50A	Rc 2	162	73	5.9

● 150F-F · 13F

Nominal size	d	L	W	Weight	
				150F-F	150F-13F
15A	15	130	35	—	2.14
20A	20	130	35	—	2.49
25A	25	150	44	—	4.2
32A	32	160	53	—	5.5
40A	40	170	57	—	5.7
50A	50	200	73	—	9.8
65A	65	235	97	15.1	16.4
80A	73	235	97	15.5	16.9
100A	100	277	130	27.0	29.7
125A	125	336	155	37.3	—
150A	140	380	165	62.0	—



Flow Rate Characteristics Chart (For Water, Horizontal Piping)



• The flow characteristics shown in the chart on the left are just for reference and cannot be used for actual measurement.

Sight glass model (type 150) code

