

GD-24·24B

Features

1. Direct acting and hanging type, no sliding parts. Free of performance deterioration caused by wear of sliding parts and great durability.
2. Wetted parts are made of corrosion-resistant material to prevent rusty water.
3. Highly wear-resistance and durability of stainless steel made valve seat.
4. Closed structure keeps fluid inside even if the diaphragm is damaged or broken.
5. Horizontal or vertical piping is possible.

Specifications

Model	GD-24	GD-24B	
Application	Cold and hot water	Cold and hot water, Flushing water	
Inlet pressure	0.2-1.6 MPa		
Reduced pressure	0.05-0.55 MPa		
Minimum differential pressure	0.05 MPa		
Maximum pressure reduction ratio	10:1		
Application temperature	5-80°C *		
Material	Body	Cast bronze	
	Valve	Brass	Bronze
	Valve disc	Urethane rubber	
	Valve seat	Stainless steel	
	Diaphragm	NBR	
	Cap	Brass	Bronze
Plug	Stainless steel		
Connection	JIS Rc screwed		

* Avoid use at temperature of 70°C or more.

Dimensions (mm) and Weights (kg)

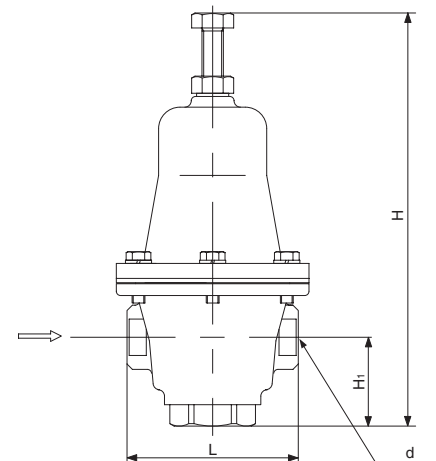
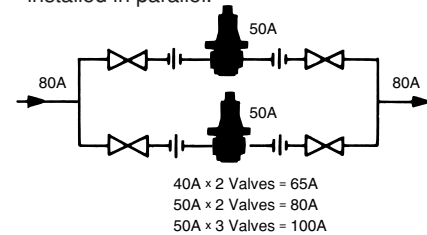
Nominal size	d	L	H	H ₁	Weight
15A	Rc 1/2	80	193	42	1.8
20A	Rc 3/4	90	210	45	2.4
25A	Rc 1	100	230	50	3.3
32A	Rc 1-1/4	120	265	60	4.7
40A	Rc 1-1/2	150	315	62	8.2
50A	Rc 2	185	365	73	14.3



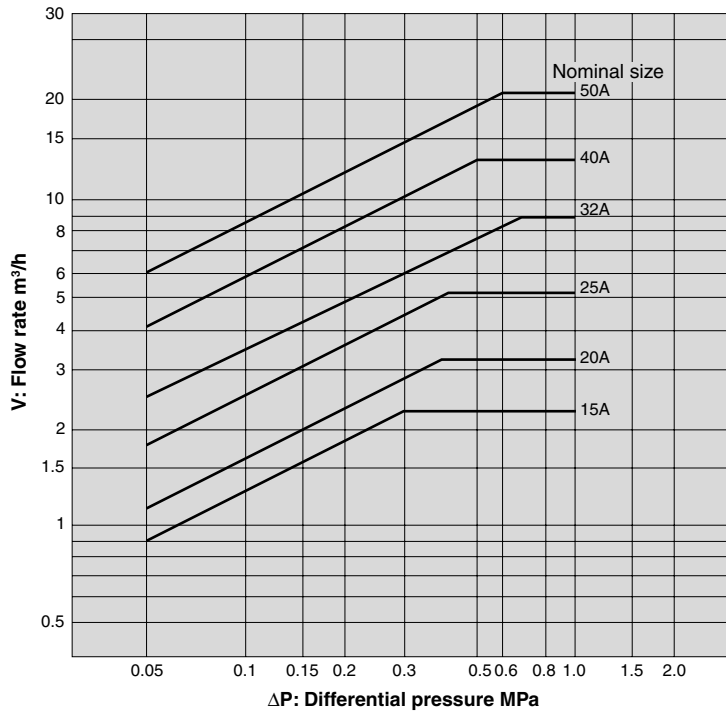
GD-24

GD-24B

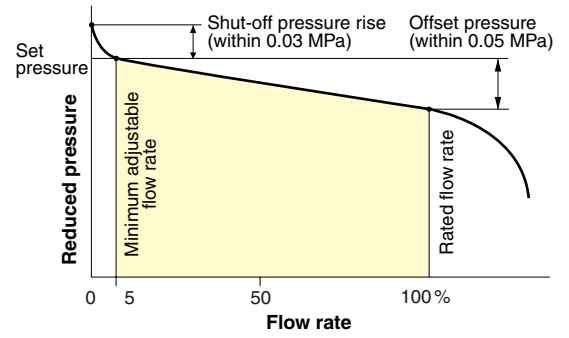
- If a large capacity is required, valves can be installed in parallel.



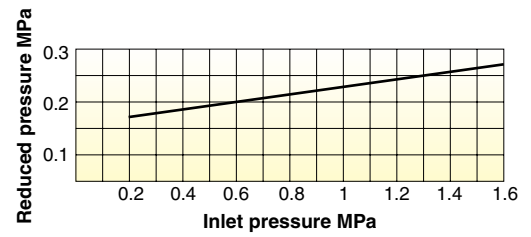
Nominal Sizes Selection Chart (For Water)



Flow Characteristic Chart



Pressure Characteristic Chart



This chart shows variation in reduced pressure when the inlet pressure of 0.6 MPa is changed between 0.2 MPa and 1.6 MPa while the reduced pressure is set at 0.2 MPa.